

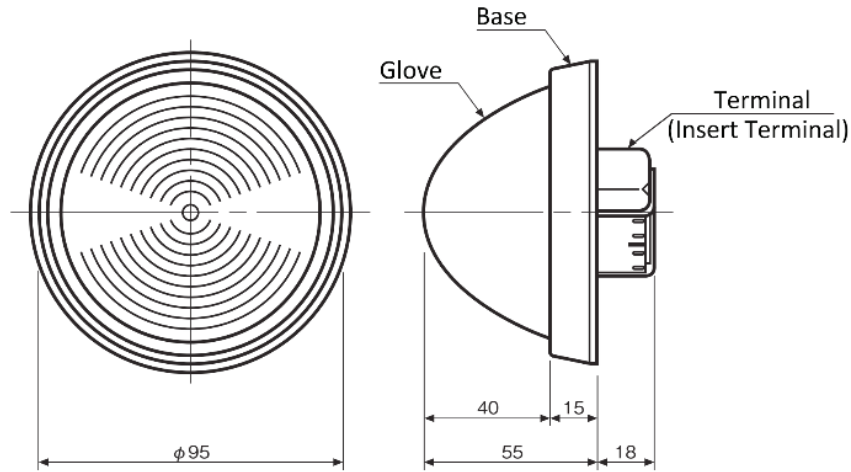
HOCHIKI

TL-14D

Indication lamp



Dimension (mm)



Specification

Type	Indication Lamp (indoor use)
Model	TL-14D
Operating Voltage	9mA @24V AC/DC
Operating Temp. Range	-10°C to 50°C
Material Glove Base	Self Extinguishing Plastic Self Extinguishing Plastic
Color Glove Base	Red Transparent Red
Weight	Approx. 100g
Country of Origin	Japan

HOCHIKI ASIA PACIFIC PTE. LTD.

82 UBI Ave 4 #06-02
Edward Boustead Centre, Singapore 408832
TEL: 65-6841-9728 | FAX: 65-6841-9781
URL : www.hochikiasiapacific.com

HEAD OFFICE

10-43 Kamiosaki 2-Chome.
Shinagawa-Ku, Tokyo 141-8660 Japan
TEL: 81-(3)-3444-4116 | FAX: 81-(3)-3444-4167
URL : www.hochiki.co.jp

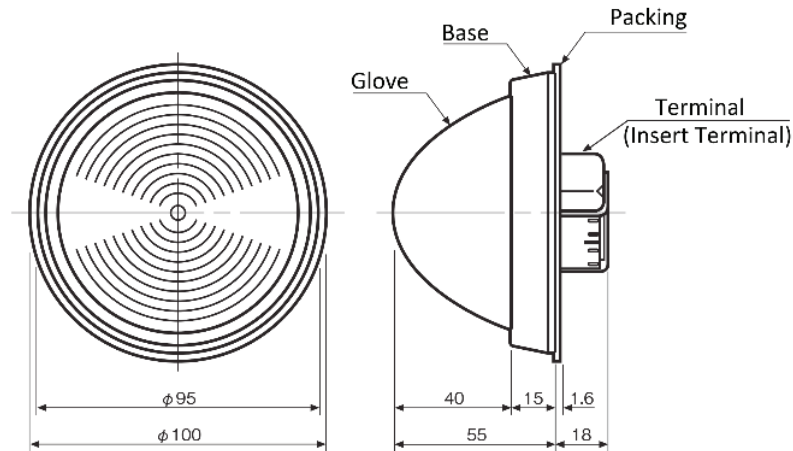


TL-14DW

Indication lamp



Dimension (mm)



Specification

Type	Indication Lamp (Outdoor use)
Model	TL-14DW
Operating Voltage	9mA @24V AC/DC
Operating Temp. Range	-10°C to 50°C
Material Glove Base	Self Extinguishing Plastic Self Extinguishing Plastic
Color Glove Base	Red Transparent Red
Weight	Approx. 100g
Country of Origin	Japan

HOCHIKI ASIA PACIFIC PTE. LTD.

82 UBI Ave 4 #06-02
Edward Boustead Centre, Singapore 408832
TEL: 65-6841-9728 | FAX: 65-6841-9781
URL : www.hochikiasiapacific.com

HEAD OFFICE

10-43 Kamiosaki 2-Chome.
Shinagawa-Ku, Tokyo 141-8660 Japan
TEL: 81-(3)-3444-4116 | FAX: 81-(3)-3444-4167
URL : www.hochiki.co.jp