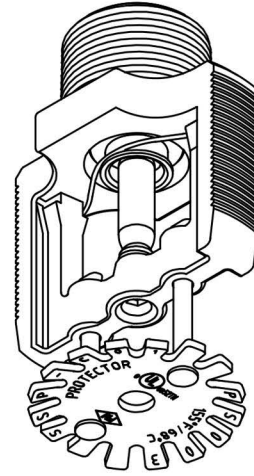


**Model A - 5.6 K Factor
Concealed Pendant
Standard Response, Quick Response**



Description

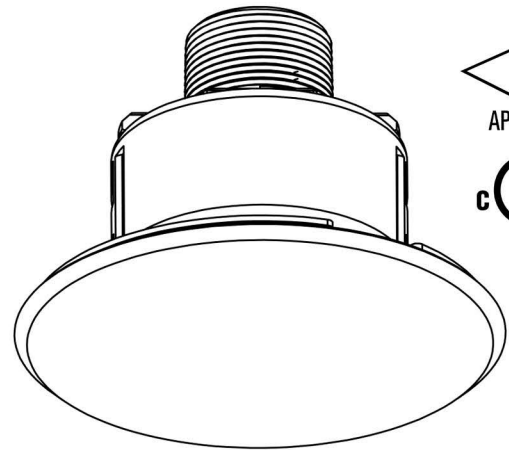
The Model A Series PS003/PS006 (Glass Bulb Type) Standard Orifice, standard and quick response. The Model A Concealed Pendant Sprinkler Identification Number (SIN) PS003 (standard) PS006(quick). The design incorporates state-of-the-art, heat responsive, frangible glass bulb design (standard or quick response) for prompt, precise operation. The forged frame is more streamlined and attractive than traditional sand cast frames. It is cast with a hex-shaped wrench to allow easy tightening from different angles. This sprinkler is available in various temperature ratings (See Chart on Pg.4) and finishes to meet many design requirements. The Concealed Pendant should be utilized with a Protector Concealed Cover Plate which provides up 6mm of adjustments. All Protector Sprinklers are manufactured using the time proven Belleville seal used exclusively by all major manufactures to ensure longevity and safe operation. PS003 (5mm Bulb) is UL Listed, C-UL Listed and FMAApproved. PS006 (3mm Bulb) is UL Listed and C-UL Listed.



PS003 Concealed Pendant

Operation

The operating mechanism is a frangible glass bulb which contains a heat responsive liquid. During a fire, the ambient temperature rises causing the liquid in the bulb to expand. When the ambient temperature reaches the rated temperature of the sprinkler, the bulb shatters. As a result, the waterway is cleared of all sealing parts and water is discharged towards the deflector. The deflector is designed to distribute the water in a pattern that is most effective in controlling the fire.



PS006 Concealed Pendant with Cover Plate

Warnings

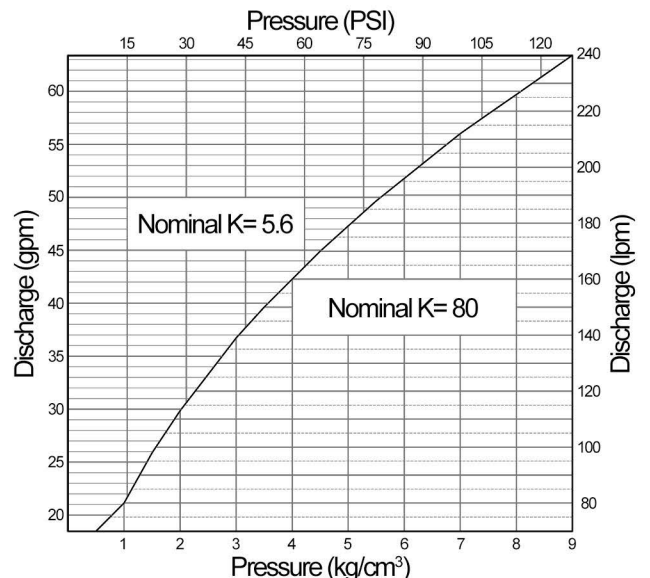
The Protector Model A Series must be installed and maintained in compliance with this document. Depressurize and drain the piping system before attempting to install, remove, or adjust any Protector Sprinklers. Failure to do so may impair the performance of these sprinklers. The owner is responsible for maintaining the fire protection system and devices in operation.

Technical Specification

- Model SIN:PS003 Standard Response
.....PS006 Quick Response
- Style:PS003, PS006 Concealed Pendant Sprinkler
- K-Factor:5.6 Imp (80S.I)
- RTI: Standard 90 (m·s)^{1/2}, Quick 33 (m·s)^{1/2}
- Approvals: See Chart on Pg. 4
- Nominal Working Thread:1/2" NPT (15mm)
- Maximum Working Pressure: 175 PSI (1200kPa)
- Factory Hydrostatic Test:100% @ 500 PSI (3450kPa)
- Minimal Operating Pressure: 7 PSI (48kPa)
- Temperature Rating: See Chart on Pg. 4

Maximum Coverage

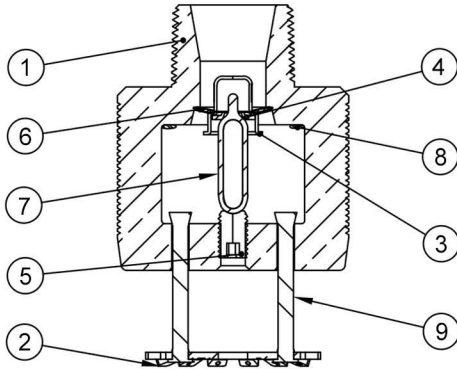
Standard spray coverage is up to: Light Hazard = 225 square feet (20.9 sq.m); Ordinary Hazard = 130 square feet (12.1 sq. m) per NFPA 13. See Chart on Pg .4 for distribution patterns.



**Model A - 5.6 K Factor
Concealed Pendent
Standard Response, Quick Response**

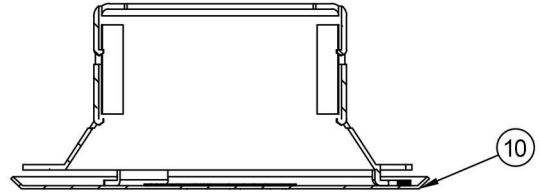
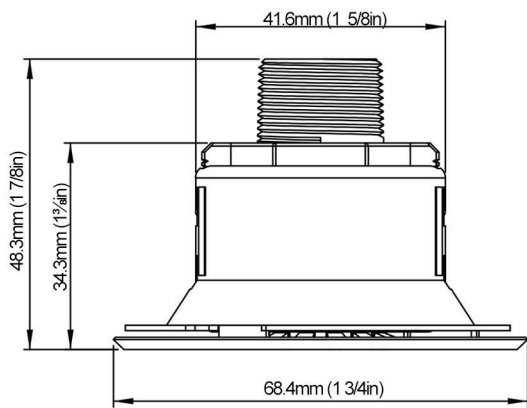
PROTECTOR

Dimensions & Physical Characteristics

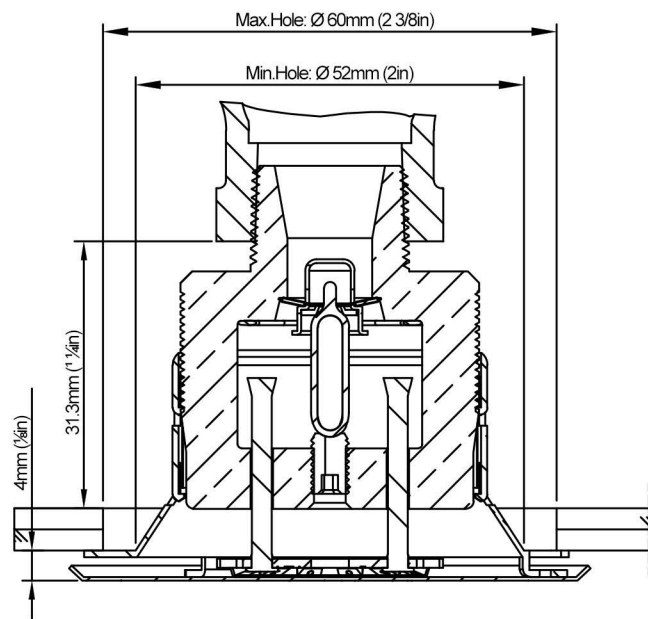


Concealed Pendent Sprinkler (PS003 / PS006)

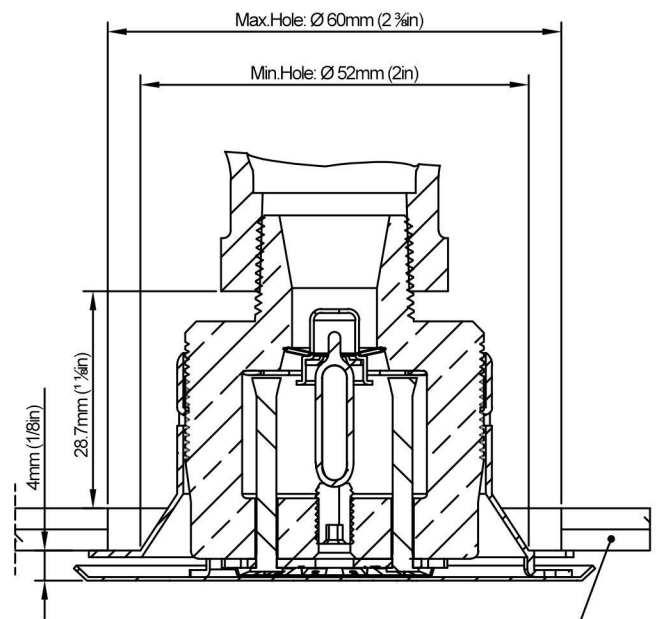
- | | |
|------------------|---------------------------------|
| 1 - Frame | Brass |
| 2 - Deflector | Brass |
| 3 - Cap | Brass |
| 4 - Cap Seat | Stainless Steel |
| 5 - Load Screw | Brass |
| 6 - Seal | Bery. Nickel Spring Teflon Tape |
| 7 - Bulb | Norbult N5 / N3 |
| 8 - Spring | Stainless Steel |
| 9 - Guide Pins | Stainless Steel |
| 10 - Cover Plate | Brass |



Concealed Pendent Sprinkler (PS003 / PS006)



Maximum Extension



Maximum Recessed

Model A - 5.6 K Factor Concealed Pendent Standard Response, Quick Response

PROTECTOR

Installation

All Protector Sprinklers must be installed according to NFPA 13 Standards. Deviations from these requirements and standards or any alteration to the sprinkler itself will void any warranty made by Protector Safety Company. In addition, installation must also meet local government provisions, codes and standards as applicable. The system piping must be properly sized to insure the minimum required flow rate at the sprinkler. Check for the proper model, style, orifice size and temperature rating prior to installation. Install sprinklers after the piping is in place to avoid mechanical damage, replace any damaged units. Wet pipe systems must be protected from freezing. Upon completion of the installation, the system must be tested per recognized standards. In the event of a thread task, remove the unit, apply new pipe joint compound or tape, and reinstall.

Tool Description

All Protector sprinklers must be installed according to the following. Sprinkler key is a tool specifically designed for installing Protector sprinklers. These special wrenches must be used to provide the proper leverage when tightening the sprinkler and to minimize slippage during installation. Any other wrench may damage the sprinkler. The following wrench are available for installing Protector sprinklers.

Cover Plate Installation

Use Protector cover plates to ensure proper sprinkler distribution and coverage. Approvals are only applicable when Protector concealed sprinkler are in use with the matching Protector cover plates.

To install clip-on cover plates, align the cover plate with the concealed sprinkler and gently push the cover plate upwards until the cover plate reaches the mount ceiling, clicking sound should be heard. The cover plate should be locked in place with the concealed sprinkler, there are sufficient space between the cover plate and concealed sprinkler for adjustment.

The cover plates can be disassembled by gently unscrewing them for the screw-on types and gently pulling them off for the clip-on types. The cover plates can be reassembled by the same method of installation. Never paint or repaint over the cover plates.

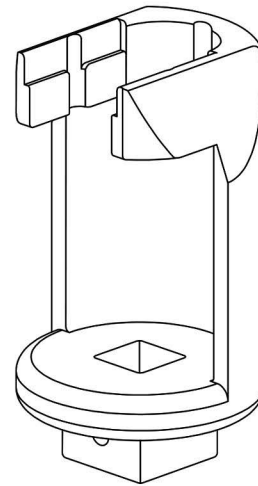
Installation Sequence

Step 1 The unit must be installed in the pendent position for the Concealed Pendent Sprinkler.

Step 2. Use only a non-hardening pipe joint compound or tape seal. Apply only to the male-threads.

Step 3. Hand tighten the sprinkler into fitting.

Step 4. For Concealed Pendent Sprinklers, use a standard key. Tighten the unit into the fitting. A lead-tight joint requires only 150 to 200 kg·cm (14.7 to 19.6 N·m) of torque. Once torque level reach over 300 kg·cm (29.4 N·m) it may distort the orifice seal, resulting in leakage. For exposed piping systems, the sprinkler should be oriented so the frame arms are parallel with the branch line pipe.



Protector Concealed Sprinkler Key

Caution

Do not over-tighten or under-tighten the sprinkler to compensate for inaccurate escutcheon plate adjustment. Protection clips are used to protect its bulb. Please have clip on at all times during transportation.

Maintenance

Sprinklers must never be altered after manufacture. Any alteration such as painting and coating will directly harm the sprinkler and cause malfunctions. Sprinkler in contact with corrosive products should be replaced if they cannot be cleaned completely. Visual inspections are recommended after installation. After installation, an annual close-up inspection will suffice. Inspection and maintenance of fire protection system is the responsibility of the owner. It is recommended that automatic sprinkler system be inspected and tested according to local and/or national regulations.

**Model A - 5.6 K Factor
Concealed Pendent
Standard Response, Quick Response**



Approvals & Listings

Type (SIN)	Nominal Size Inches (mm)		K Factor Imperial (SI)	Response	Approvals		
	Thread	Orifice			UL	cUL	FM
Pendent (PS003)	1/2 (15)	1/2 (13)	5.6 (80)	Standard	Yes	Yes	Yes
Pendent (PS006)	1/2 (15)	1/2 (13)	5.6 (80)	Quick	Yes	Yes	No

Temperature Ratings

Sprinkler Temperature Classification	Nominal Sprinkler Temperature Rating	NFPA Maximum Ambient (Ceiling) Temperature Allowed	Glass Bulb Color
Ordinary	57°C (135°F)	38°C (100°F)	Orange
	68°C (155°F)	38°C (100°F)	Red
Intermediate	79°C (175°F)	65°C (150°F)	Yellow
	93°C (200°F)	65°C (150°F)	Green
High	141°C (286°F)	107°C (225°F)	Blue
Extra High	182°C (360°F)	149°C (300°F)	Mauve
Open	Open	-	No Bulb

Distribution Trajectory

